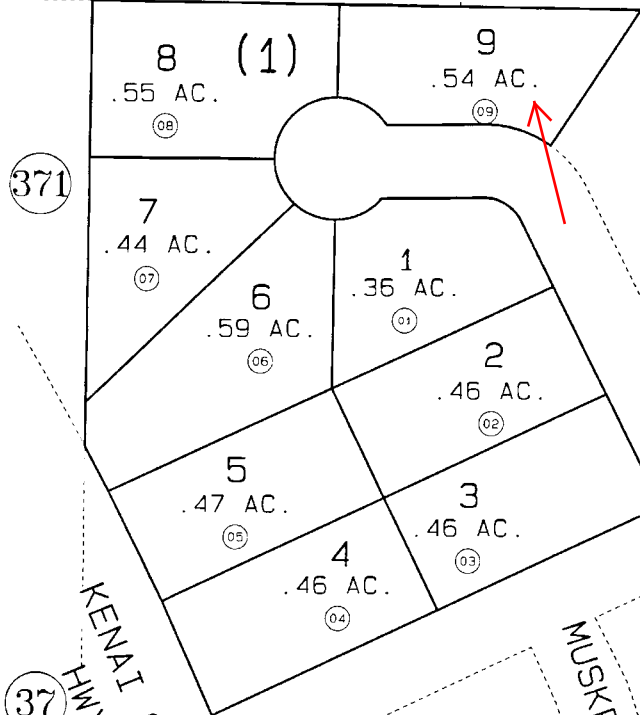


(47)

K ST. S.E.

SEC. 7  
SEC. 8

HIGHLANDS SUBDIVISION



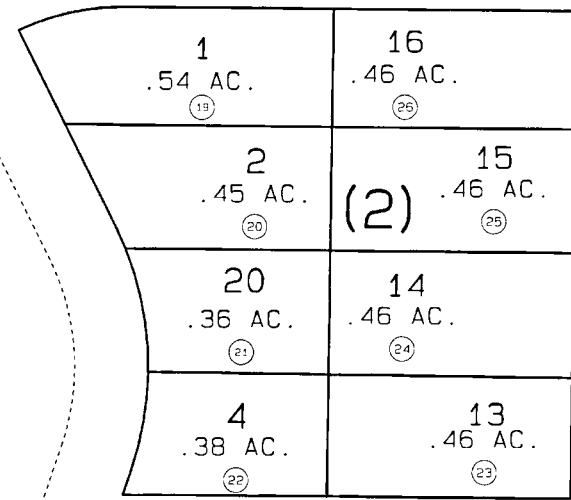
(171)

SILVER SLAMON DR.

MUSKRAT CT.

KENAI SPUR  
HWY.

(37)

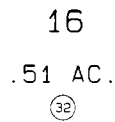


85th. AVE. SE

(50)

(171)

(3)



(18)

DATE: JULY 30, 1996

FOR 1997 ASSESSMENT ROLL

DELETE ADD REVISED

HIGHLANDS KN001542

TO  
10-18 TO  
27-31 049-171

Assessor's Map  
Kenai Peninsula Borough

THIS MAP IS PREPARED FOR KENAI PENINSULA BOROUGH ASSESSING DEPT. USE ONLY AND IS NOT INTENDED FOR ANY OTHER USE OR REPRESENTATION

NOTE - Assessor's Block Numbers Shown in Ellipses  
Assessor's Parcel Numbers Shown in Circles